



TracPhone® FB250 Assembly and Mounting Instructions for a 19" (49 cm) Dome

The following instructions explain how to assemble the TracPhone FB250 antenna within the 19" (49 cm) dome, which matches the TracVision® M5 satellite TV antenna. They also explain how to mount the dome to your vessel. These instructions are a supplement, not a substitute, for the TracPhone FB250/FB500 Installation Manual. Be sure to follow all installation guidelines contained therein.

IMPORTANT!

Do not remove the radome from the TracPhone FB250 antenna. The antenna is a sealed unit. You do not need to disassemble the antenna to mount it within the 19" (49 cm) dome.

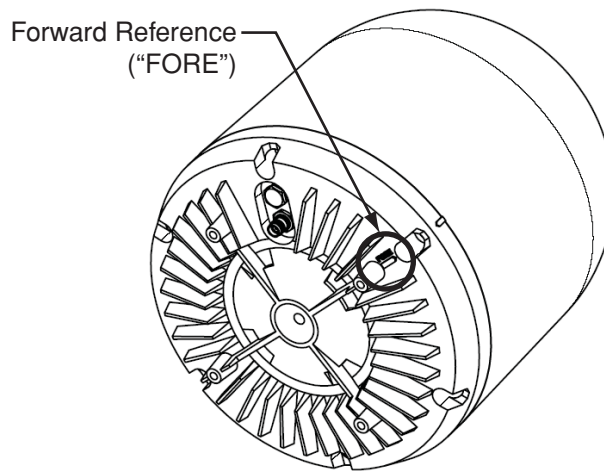
Tools Required

- Drill with 3/8" (10 mm) bit
- Socket wrenches
- Light hammer; center punch; tape; scribe/pencil
- M3 and M6 allen wrenches
- #2 Phillips screwdriver

Step 1 - Assemble the Dome

- a. Remove and save the three #10-24 screws securing the 19" (49 cm) dome's radome to the baseplate. Remove the radome and set it aside in a safe place. Refer to [Figure 2 on page 3](#) throughout this procedure.
- b. Note the location of the forward ("FORE") reference on the base of the FB250 antenna. Knowing the location of this reference point is very important throughout the assembly process. You may want to apply a temporary label to the FB250 radome to better mark the reference.

Figure 1 FB250 Forward Reference



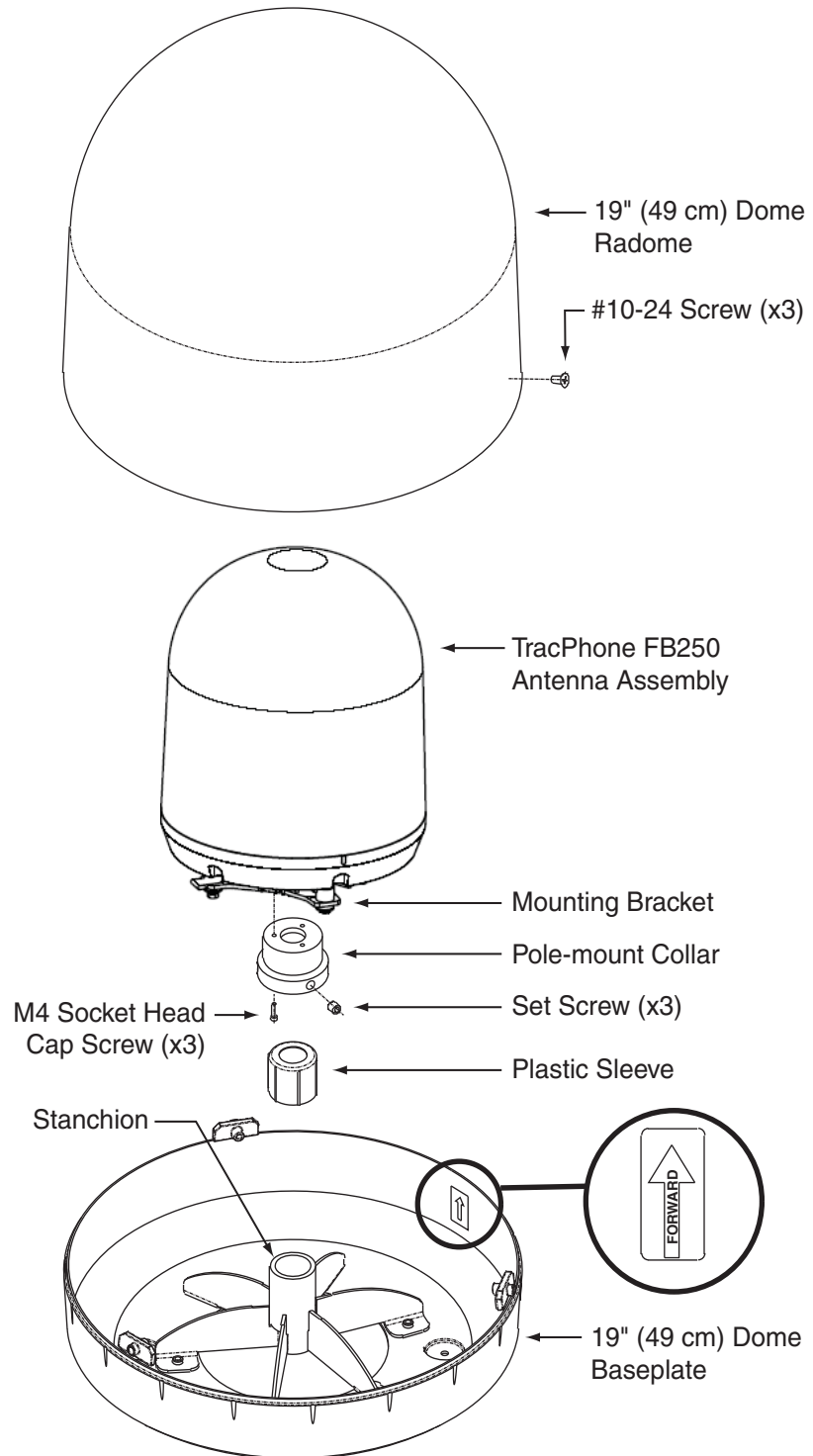
- c. Attach the mounting bracket to the base of the FB250 antenna as described in the instructions provided with the mast-mount kit.

IMPORTANT!

Be sure to ground the antenna to the **ship's hull** using the supplied grounding strap. The 19" (49 cm) dome's baseplate and stanchion are not suitable grounding points.

- d. Attach the mast-mount collar to the mounting bracket using three supplied M4 socket-head cap screws.
- e. Insert the blue plastic sleeve into the mast-mount collar.
- f. Place the FB250 antenna assembly onto the stanchion inside the 19" (49 cm) dome's baseplate.
- g. Align the "FORE" reference on the FB250 with the "Forward" arrow on the 19" (49 cm) dome's baseplate.
- h. Secure the FB250 antenna assembly in place using the three set screws supplied in the kit.

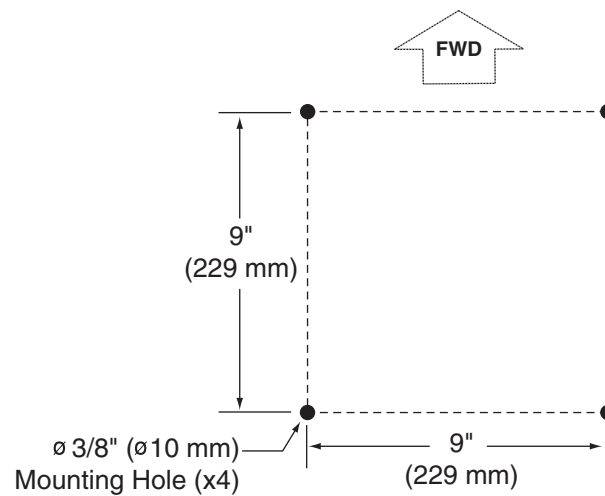
Figure 2 FB250 Dome Assembly



Step 2 - Mount the Antenna Assembly

- a. Make sure that you have chosen a suitable mounting location based upon the guidelines in the Installation Manual.
- b. At the mounting site, lay out the four mounting bolt holes. Make certain that the "FWD" arrow is parallel with the vessel's centerline and pointed toward the bow.

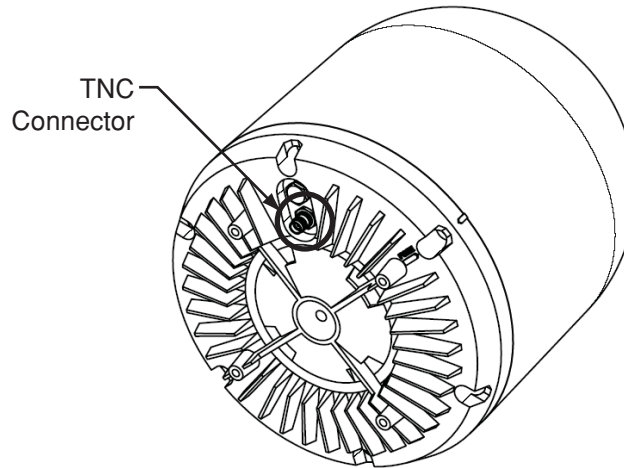
Figure 3 Antenna Mounting Holes Layout



- c. Drill the four 3/8" (10 mm) bolt holes in the mounting surface.

- d. Bring the antenna coaxial cable from belowdecks up through the center of the 19" (49 cm) dome's baseplate and connect it to the FB250 antenna's TNC connector.

Figure 4 FB250 TNC Connector



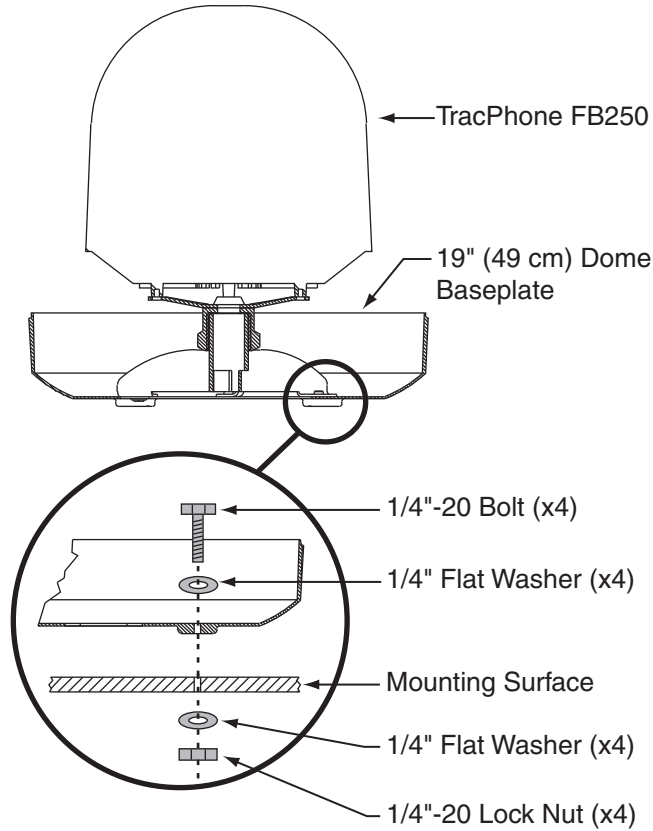
- e. Position the antenna assembly in place over the holes drilled in the mounting surface, with the "FORE" forward reference facing the bow. Ensure all holes line up.

IMPORTANT!

The FB250's "FORE" forward reference must point toward the bow of the vessel for the antenna to work properly.

- f. At each of the four baseplate mounting holes, place a 1/4" flat washer on a 1/4"-20 bolt and insert the bolt into the hole from above, as shown in Figure 5.

Figure 5 Antenna Mounting



- g. Secure each mounting bolt to the mounting surface using a 1/4" flat washer and a 1/4"-20 lock nut from below. Tighten all four bolts until the four rubber feet are bottomed against the mounting surface.
- h. Place the radome onto the baseplate and secure in place with the three #10-24 screws you removed earlier.
- i. Install a protective screw cap over each radome screw.
- j. Follow the instructions in the *TracPhone FB250/FB500 Installation Manual* to complete the installation.