

TracPhone® F33 Deluxe Dome Assembly and Mounting Instructions

The following instructions explain how to assemble the TracPhone F33 antenna within the deluxe 19" (49 cm) dome and mount the dome to your vessel. These instructions are a supplement, **not a substitute**, for the *TracPhone F33 Installation Manual*. Be sure to follow all the installation guidelines therein.

Materials and Equipment Required

To assemble and mount the deluxe dome, you will need the following tools and materials:

- Drill with 3/8" (10 mm) bit
- Socket wrenches
- Light hammer; center punch; tape; scribe/pencil
- M3 and M6 allen wrenches
- #2 Phillips screwdriver

Materials Provided

In addition to the materials provided in the TracPhone F33 kitpack, you will need the following components provided with the deluxe dome antenna mounting kit:

Part	Part #	Qty.
1/4"-20 x 3" hex head bolts	14-0250-48	4
1/4"-20 self-locking nuts	14-0065-25	4
1/4" flat wide washers	14-0251	8
Plastic screw covers	19-0088	6



DO NOT remove the radome from the TracPhone F33 antenna. The antenna is a **sealed** unit. You do not need to disassemble the antenna to mount it within the deluxe dome.

Table 1

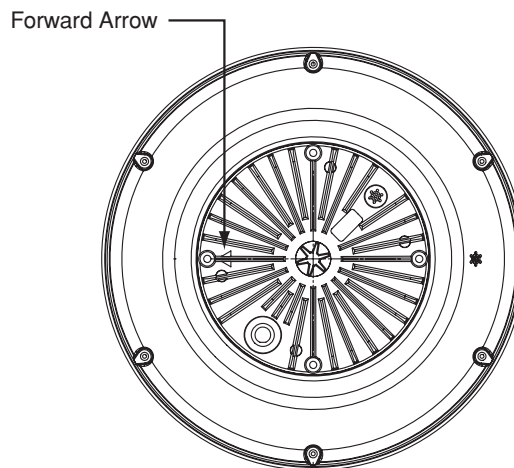
Deluxe Dome Kitpack Contents

Assembling the Deluxe Dome

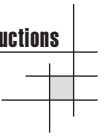
Refer to Figure 2 on the following page while following the steps below.

1. Remove and save the three #10-24 screws securing the deluxe dome's radome to the baseplate. Remove the radome and set it aside in a safe place. If you bring the radome topside, be sure to secure it with a lanyard so that it does not fall overboard.
2. Note the location of the forward arrow on the base of the F33 antenna (see Figure 1). **Knowing the location of this arrow throughout the assembly process is very important.** You may want to apply a temporary label to the F33 radome to better mark the point of the arrow.

Figure 1
F33 Forward Arrow
(Bottom View)

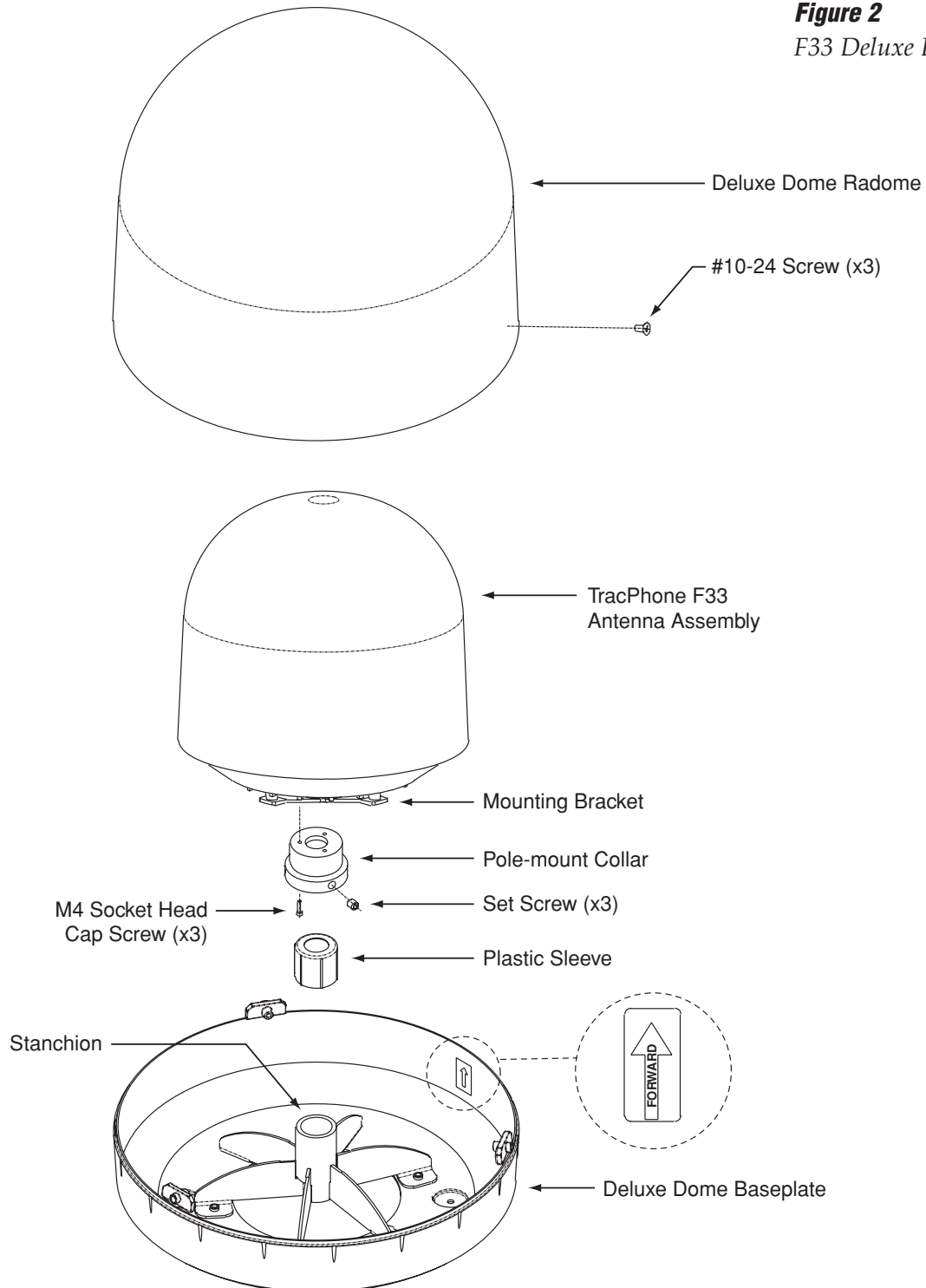


3. Attach the mounting bracket to the base of the F33 antenna as described in the instructions provided with the TracPhone F33. Be sure to ground the antenna to **ship's hull** using the supplied grounding strap. **The deluxe dome's baseplate and stanchion are NOT suitable grounding points.**
4. Attach the pole-mount collar to the mounting bracket using the three M4 socket head cap screws supplied in the F33 kitpack.
5. Insert the blue plastic sleeve into the pole-mount collar.
6. Place the F33 antenna assembly onto the stanchion inside the deluxe dome's baseplate.



7. Line up the forward arrow on the F33 base with the "Forward" arrow on the deluxe dome's baseplate.
8. Secure the F33 antenna assembly in place using the three set screws supplied in the F33 kitpack.

Figure 2
F33 Deluxe Dome Assembly





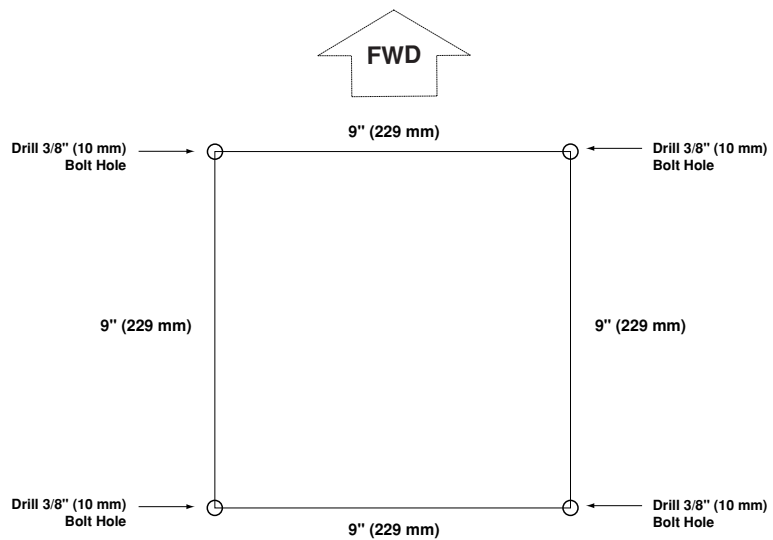
Do **not** block the large ventilation hole on the base of the antenna assembly.

Mounting the Antenna Assembly

1. Make sure that you have chosen a suitable mounting location based upon the guidelines in Section 3 of the *TracPhone F33 Installation Manual*.
2. Using the template provided with these instructions, or the dimensions shown below, lay out the four mounting bolt holes at the mounting site. Make certain that the “FWD” arrow is parallel with the vessel’s centerline and pointed toward the bow.

Figure 3

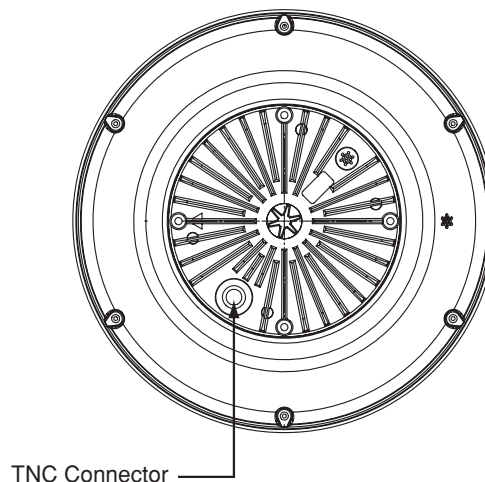
Antenna Mounting Holes Layout

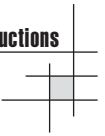


3. Drill the four $\frac{3}{8}$ " (10 mm) bolt holes in the mounting surface.
4. Bring the antenna coaxial cable from belowdecks up through the center of the deluxe dome’s baseplate and connect it to the F33 antenna’s TNC connector (see Figure 4).

Figure 4

*F33 TNC Cable Connector
(Bottom View)*



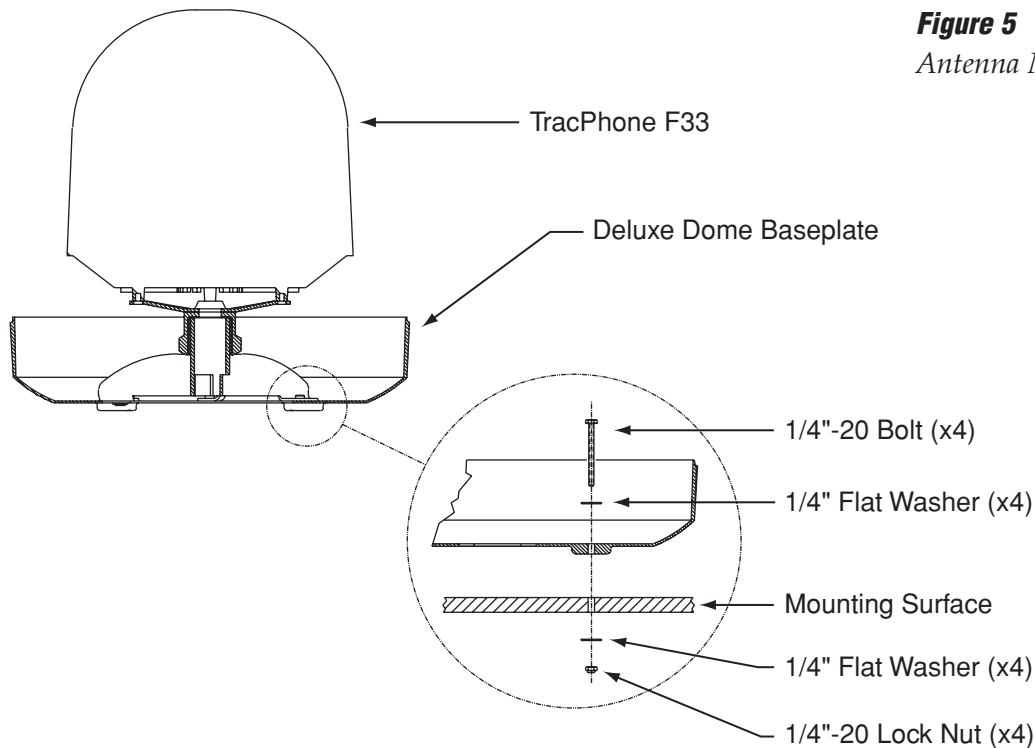


5. Position the antenna assembly in place over the holes drilled in the mounting surface, with the "Forward" arrow pointing toward the bow. Ensure that all holes line up.
6. At each of the four baseplate mounting holes, place a 1/4" flat washer on a 1/4"-20 bolt (supplied in the deluxe dome kitpack) and insert the bolt into the hole from above, as shown in Figure 5.



The "Forward" arrow **must** point toward the bow of the vessel for the antenna to work properly.

Figure 5
Antenna Mounting



7. Apply a 1/4" flat washer and 1/4"-20 lock nut from below, as shown in Figure 5. Tighten securely, but do not overtighten.
8. Place the radome over the baseplate with the "TracPhone F33" labels facing port and starboard. Align the three radome screw holes with the baseplate nut holders, insert the #10-24 screws and tighten. Install a protective plastic screw cap from the deluxe dome kitpack over each screw.
9. Follow the instructions in the *TracPhone F33 Installation Manual* to complete the installation.